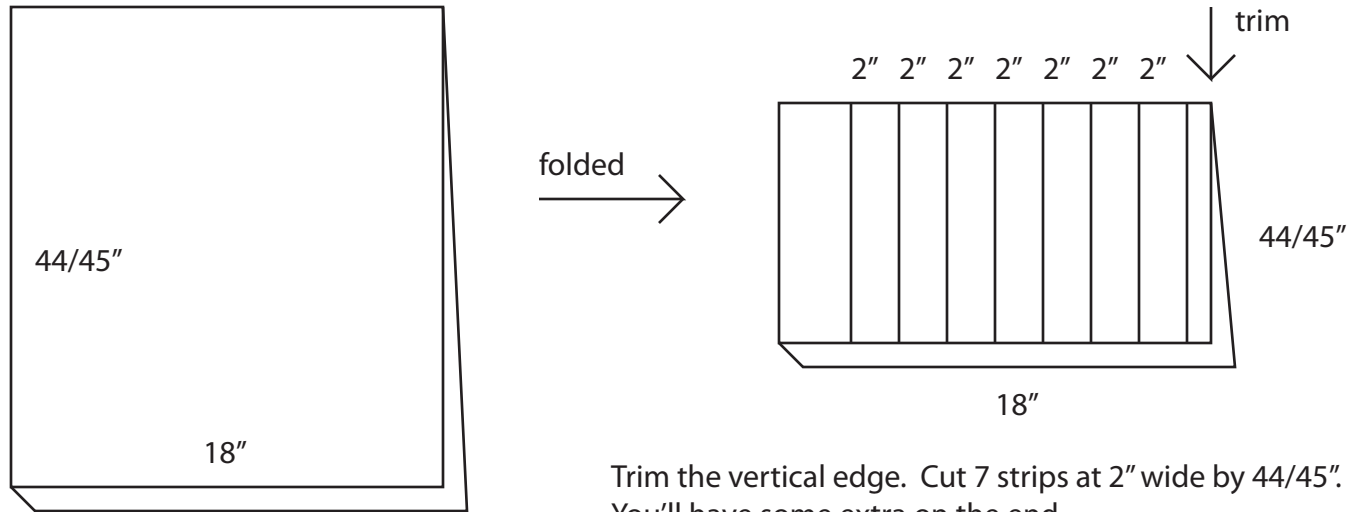


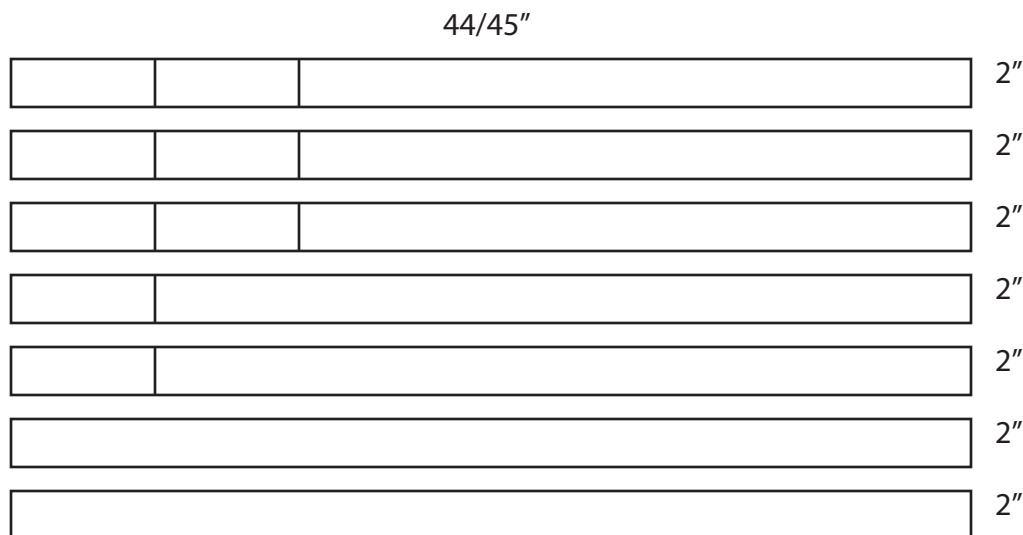
Setting Squares with SASHING

For 12 blocks with 1 1/2" sashing (finished size); you'll need a little less than 1/2 yard.

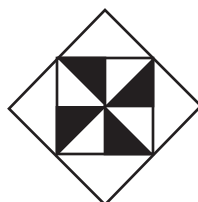
Fold your fabric in half from selvage to selvage after pressing. Then fold again.



Trim the vertical edge. Cut 7 strips at 2" wide by 44/45". You'll have some extra on the end.



Cut 8 - 6 1/2" strips from your sashing following the layout above.
 (3 strips have 2 - 6 1/2" sections cut off and 2 strips have 1 - 6 1/2" section cut off.)
 You will cut the rest of the sashing after measuring your quilt top.



LearnHowToQuilt.com

Master Quilting through Online Classes

*Copyright 2019 ABT All Rights Reserved