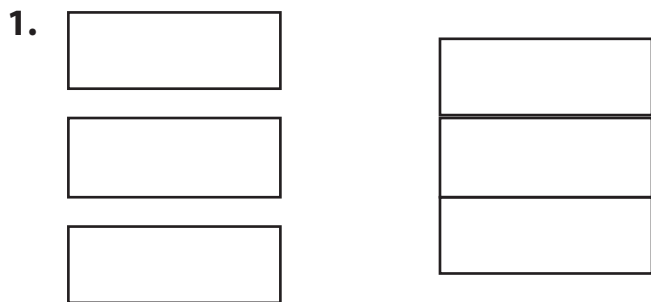


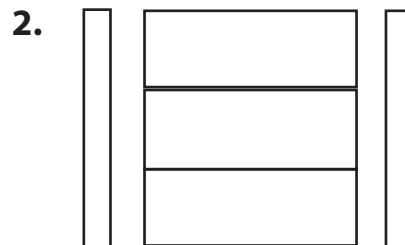
Spools

(47" by 38")

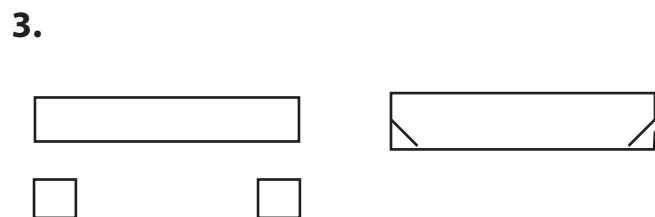
Below are directions for spools with quick corner caps. You might like a simple cap made from an 8 1/2" strip of fabric. (Less sewing time to complete!)



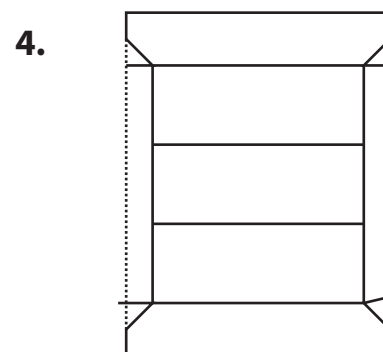
Sew 3 "threads" together with 1/4" seams.



Add 1 1/2" strips on both sides.



Use the squares to make "quick corners".



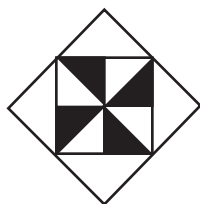
Add the tops and bottoms to spool.

Adding Sashing:

Refer to page 1. Sew 6 - 8 1/2" by 2 1/2" sashing strips between the spools.

Then add 4 vertical strips between the spool rows.

Finish by adding a strip to the top and to the bottom.



LearnHowToQuilt.com

Master Quilting through Online Classes

*Copyright 2021 ABT All Rights Reserved